

ONLY ORIGINAL WITH THE DIAMOND®



PUMP TECHNOLOGY

High efficiency pumps



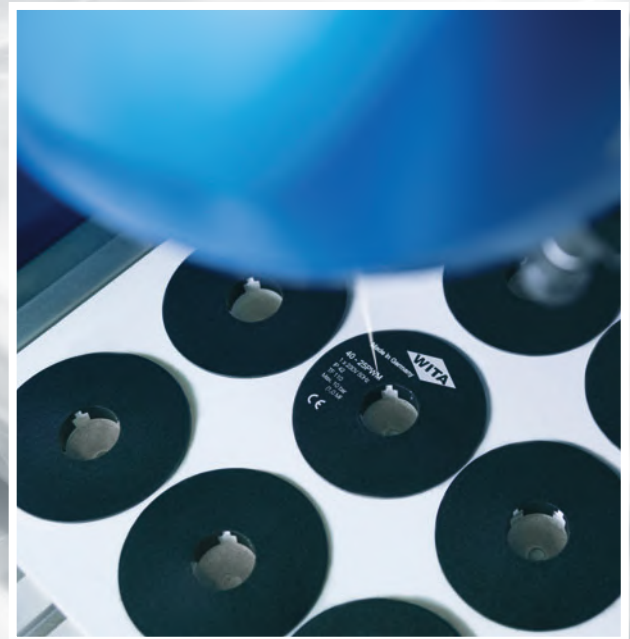


High efficiency pumps





## High efficiency pumps





## High efficiency pumps

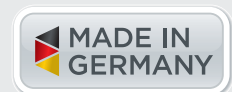


## Pump Technology

Since more than 50 years the company WITA is developing and producing high quality products for heating systems in Germany. Our quality management is certified according to DIN EN ISO 9001: 2015.

Through uncompromising high quality standards, coupled with multiple application possibilities of our pumps we are able to offer optimal solutions for the almost usages.

The high efficiency WITA - Pumps are usable in the areas of heating, domestic hot water and solar technology. Every day, the research and development department is working on new innovative solutions to facilitate the daily life for the skilled crafts also in the future.



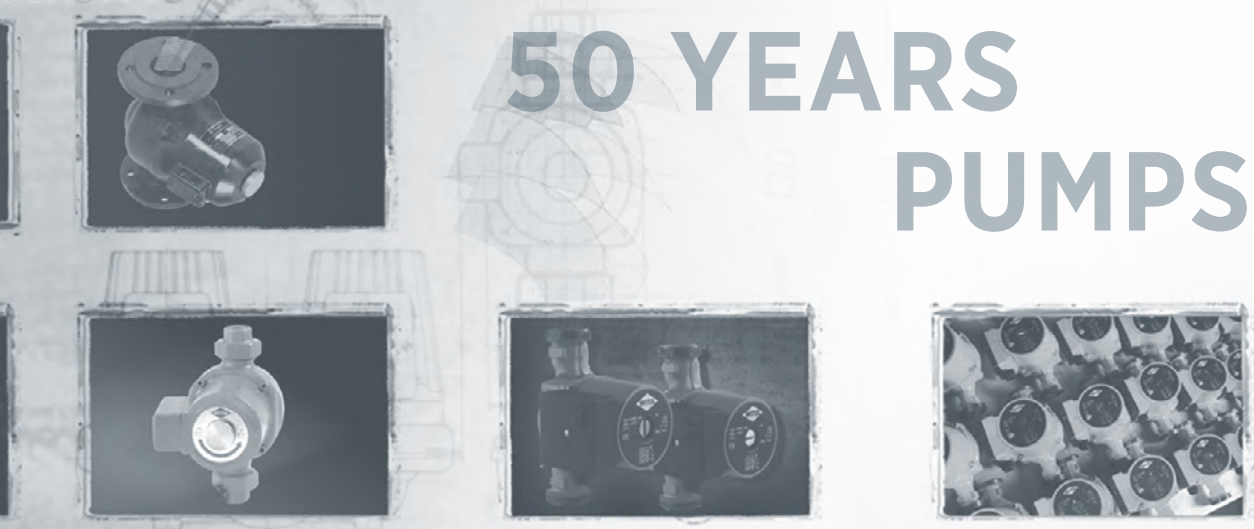
### Product Advantage

- Maximum efficiency due to ECM - Technology
- Integrated motor protection
- Varied range of applications because of the cathaphoresis coated grey cast iron pump housings
- WITA - High efficiency pump motors are backwards compatible to the most previous series



High efficiency pumps

# 50 YEARS PUMPS



## List

- Display ..... 6
- WITA go.future 2 – 40 | 60 LED ..... 8
- WITA go.future 2 – 40 | 60 LCD ..... 9
- WITA go.future 2 – *light* 40 | 60 ..... 10
- WITA go.future 40 | 60 LED ..... 11
- WITA go.future 40 | 60 LCD ..... 12
- WITA go.future *light* 40 | 60 ..... 13
- WITA Delta HE 35 | 55 LED ..... 14
- WITA Delta HE 35 | 55 LCD ..... 15
- WITA Delta HE *light* 40 | 60 ..... 16
- WITA Delta TOP 40 | TOP 60 ..... 17
- WITA Delta MIDI 40 | MIDI 60 ..... 18
- WITA Delta UP 70 ..... 19
- WITA Delta MAXI 80 ..... 20
- WITA Delta HE 75 ..... 21
- WITA Delta HE 100 | HE 120 ..... 22
- WITA Delta HE 75 F ..... 23
- WITA Delta HE 100 F | HE 120 F ..... 24
- WITA Delta Aqua UE 35A | UE 55A ..... 25
- WITA UPH 15® | UPH 20-KS ..... 26
- WITA – Quality made in Germany ..... 27
- List of circulating pumps ..... 28
- Exchange overview circulating pumps ..... 30

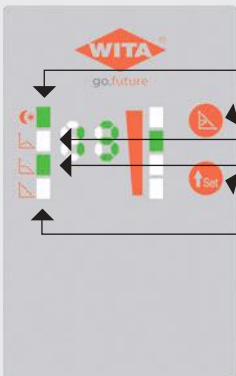


## High efficiency pumps

### Display

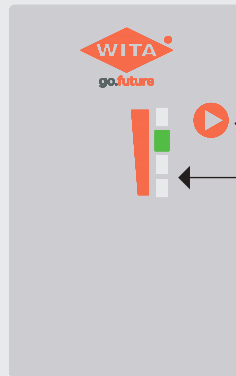
#### Display go.future 2

go.future 2



- Night Mode, Min. operation level
- Select Button
- Proportional Characteristics
- Constant Pressure Characteristics
- Select Button
- Constant Characteristic

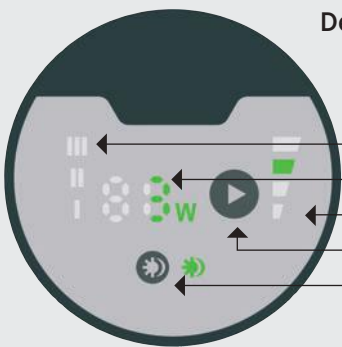
go.future 2 light



- Select Button
- Constant Characteristics, Proportional Characteristics

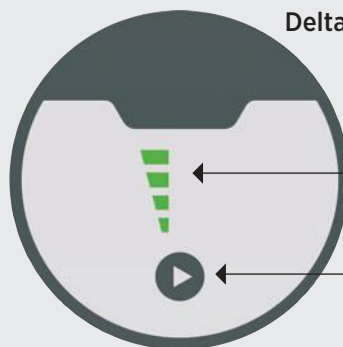
#### Display HE-Pumps

Delta HE



- Constant Characteristic
- Power Consumption
- Proportional Characteristics
- Select Button
- Night Mode

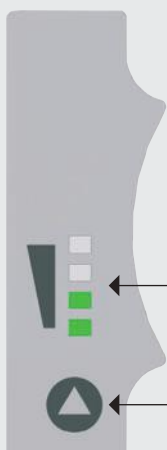
Delta HE light



- Constant Characteristics, Proportional Characteristics
- Select Button

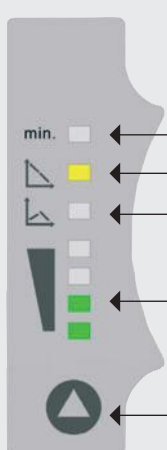
#### Display Delta UP and MIDI

Delta UP



- Constant Characteristic
- Proportional Characteristics
- Select Button

Delta MIDI

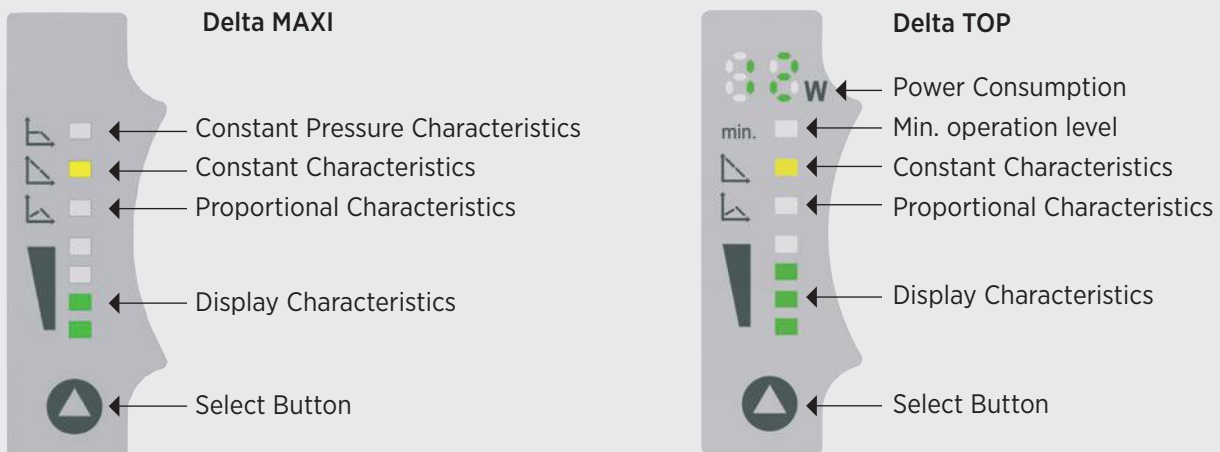


- min. operation level
- Constant Characteristics
- Proportional Characteristics
- Display Characteristics
- Select Button

## High efficiency pumps

### Display

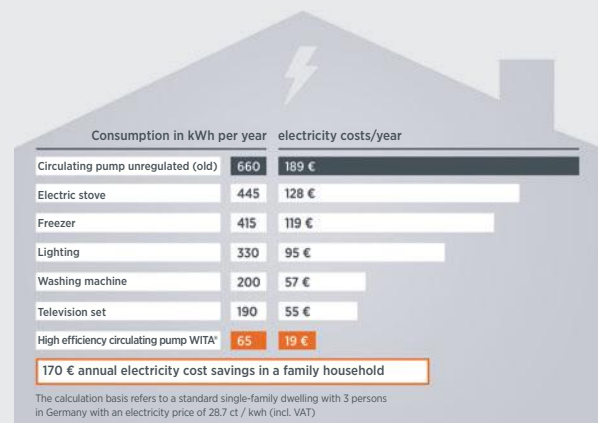
#### Display Delta MAXI and Top



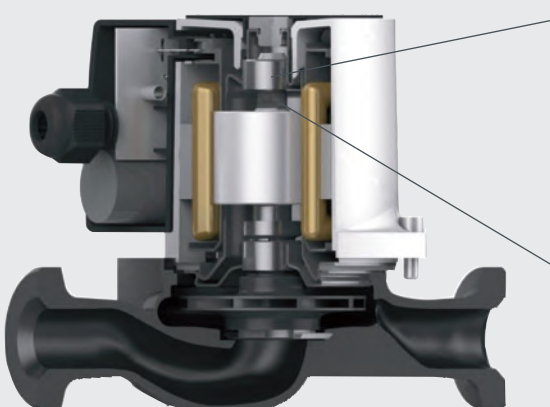
#### Economics

Due to the constantly increasing energy costs and the enormous consumption of the uncontrolled 3 stage pumps, a replacement by a highly efficient circulating pump is absolutely recommended.

Depending on the purchase and installation costs, the WITA high-efficiency pump already pays off after 2-3 years due to the power savings.

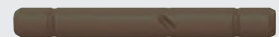


#### Pump cross section



##### Rotor shaft

- Made of high quality ceramics
- very low manufacturing tolerances
- high fitting accuracy
- very good dimensional stability during temperature changes
- low wastage



##### Separating can with permanent magnet rotor

- Separating can is made of stainless steel
- very low manufacturing tolerances
- Ceramic bearing with very low wastage
- High-quality permanent magnet rotor made of Ferro or Neodym





High efficiency pumps

WITA go.future 2 – 40 | 60 LED

Product specials

- 5 Years Warranty
- Night Mode / Min. operation level
- LED consumption display
- Venting function
- Keylock
- Anti-block function
- also available as PWM and 0 - 10 V version

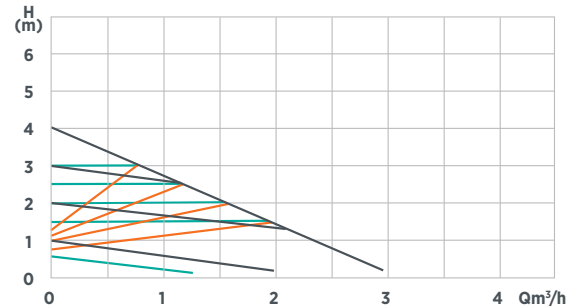


Technical Data

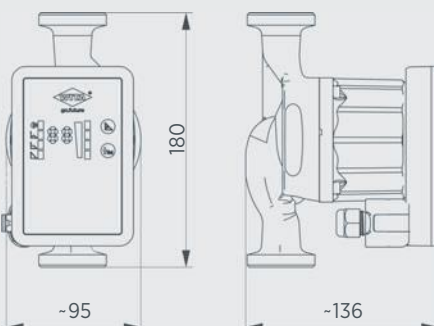
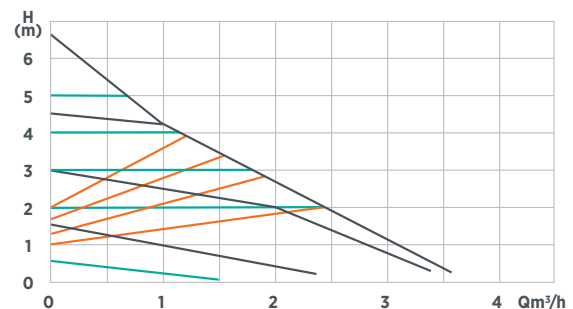
Max. pump lift	4,0 m   6,0 m
Max. flow rate	2.800 l/h   3.600 l/h
Power consumption	3 - 23 W   3 - 41 W
Control	4 constant characteristics, 4 proportional characteristics, 4 constant pressure characteristics
Additional function	minimal operation function / manually night mode, automatically night mode, LED consumption display, venting function, keylock, anti-block function
Supply voltage	1 x 230V, 50 Hz
Motor protection	no external motor protection required
Ip rating	IP 42
Ambient temperature	0 °C to +40 °C
Media temperature	+5 °C to +110 °C
Max. system pressure	10 bar
Connection size	DN 15, DN 20, DN 25, DN 32
Installation lengths	110 mm, 130 mm, 180 mm
Pump housing material	130 mm, 180 mm variant in grey cast iron cataphoresis coated; 110 mm, 130 mm variant in brass
Weight incl. insulation	2.5 kg
EEI	≤ 0,20
Special equipment	Also available as PWM or 0-10 V version



Characteristic WITA go.future 2 – 40 LED



Characteristic WITA go.future 2 – 60 LED





## High efficiency pumps

## WITA go.future 2 – 40 | 60 LCD

## Product specials

- 5 Years Warranty
- Night Mode / Min. operation level
- LCD consumption display
- Venting function
- Keylock
- Anti-block function
- also available as PWM and 0 - 10 V version

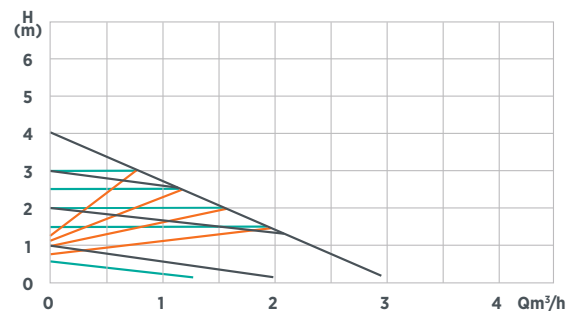


## Technical Data

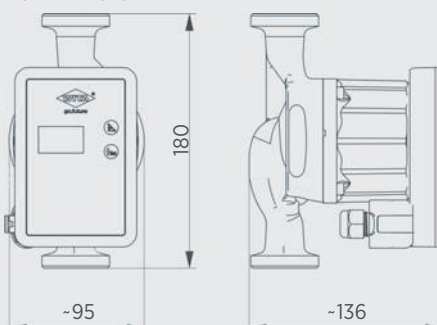
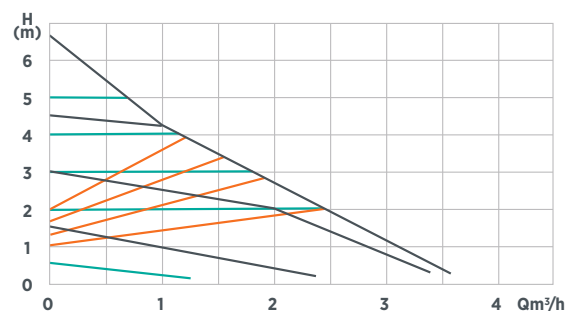
Max. pump lift	4,0 m   6,0 m
Max. flow rate	2.800 l/h   3.600 l/h
Power consumption	3 - 23 W   3 - 41 W
Control	4 constant characteristics, 4 proportional characteristics, 4 constant pressure characteristics
Additional function	minimal operation function / manually night mode, automatically night mode, LCD consumption display, venting function, keylock, anti-block function
Supply voltage	1 x 230V, 50 Hz
Motor protection	no external motor protection required
Ip rating	IP 42
Ambient temperature	0 °C to +40 °C
Media temperature	+5 °C to +110 °C
Max. system pressure	10 bar
Connection size	DN 15, DN 20, DN 25, DN 32
Installation lengths	110 mm, 130 mm, 180 mm
Pump housing material	130 mm, 180 mm variant in grey cast iron cathaphoresis coated; 110 mm, 130 mm variant in brass
Weight incl. insulation	2,5 kg
EEI	≤ 0,20
Special equipment	Also available as PWM or 0-10 V version



Characteristic WITA go.future 2 – 40 LCD



Characteristic WITA go.future 2 – 60 LCD





High efficiency pumps

WITA go.future 2 – light 40 | 60

Product specials

- 5 Years Warranty
- LED characteristics display
- Anti-block function
- also available as PWM and 0 - 10 V version

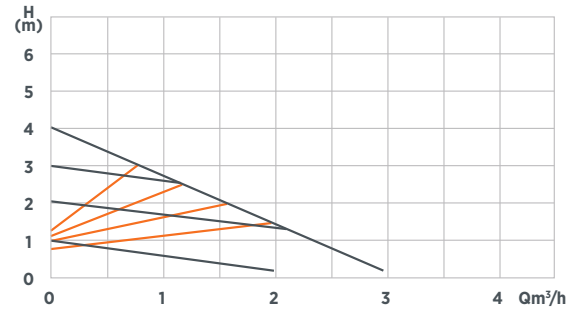


Technical Data

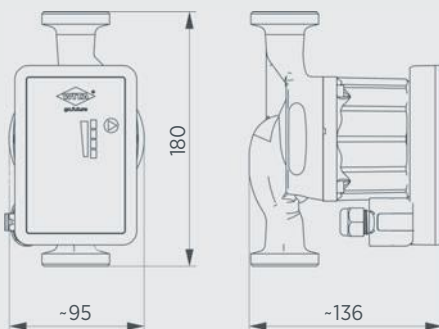
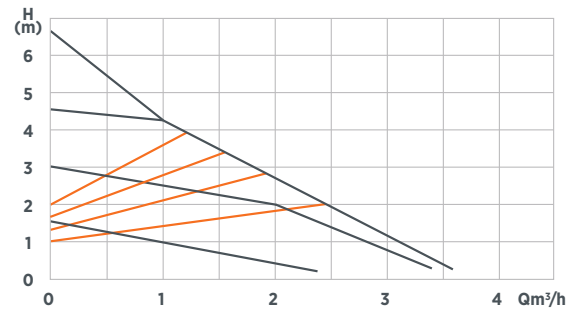
Max. pump lift	4,0 m   6,0 m
Max. flow rate	2.800 l/h   3.600 l/h
Power consumption	4 - 23 W   4 - 41 W
Control	4 constant characteristics, 4 proportional characteristics
Additional function	LED characteristics display, anti-block function
Supply voltage	1 x 230V, 50 Hz
Motor protection	no external motor protection required
Ip rating	IP 42
Ambient temperature	0 °C to +40 °C
Media temperature	+5 °C to +110 °C
Max. system pressure	10 bar
Connection size	DN 15, DN 20, DN 25, DN 32
Installation lengths	110 mm, 130 mm, 180 mm
Pump housing material	130 mm, 180 mm variant in grey cast iron cataphoresis coated; 110 mm, 130 mm variant in brass
Weight incl. insulation	2.5 kg
EEI	≤ 0,20
Special equipment	Also available as PWM or 0-10 V version



Characteristic WITA go.future 2 – light 40



Characteristic WITA go.future 2 – light 60



## High efficiency pumps

## WITA go.future 40 | 60 LED

## Product specials

- 5 Years Warranty
- Night mode / min. operation level
- LED consumption display
- Anti-bloc function

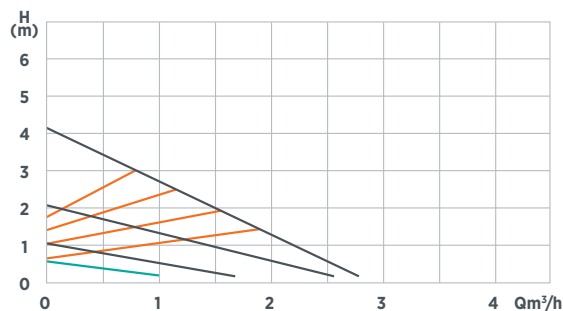

 EEI  
 $\leq 0,20$ 

## Technical Data

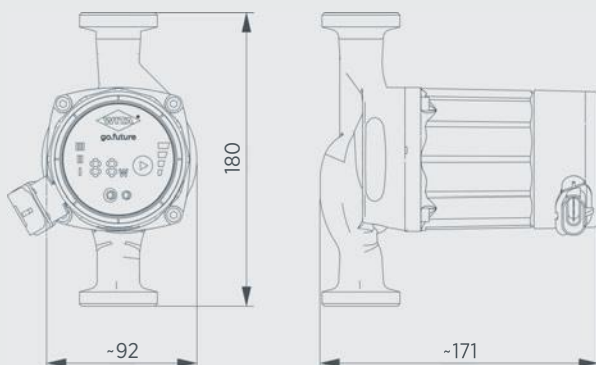
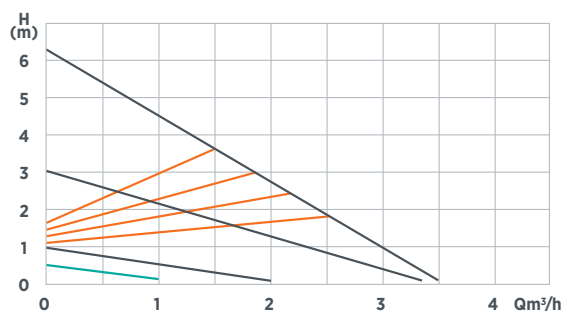
Max. pump lift	4.0 m   6.0 m
Max. flow rate	2.600 l/h   3.200 l/h
Power consumption	3 - 23 W   3 - 38 W
Control	3 constant characteristics, 4 proportional characteristics
Additional function	minimal operation function / manually night mode, automatically night mode, LED consumption display, anti-block function
Supply voltage	1 x 230V, 50 Hz
Motor protection	No external motor protection required
Ip rating	IP 42
Ambient temperature	0 °C to +40 °C
Media temperature	+5 °C to +110 °C
Temperature class	TF 110 as per EN 60335-2-51
Max. system pressure	10 bar
Connection size	DN 15, DN 20, DN 25, DN 32
Installation lengths	110 mm, 130 mm, 180 mm
Pump housing material	130 mm, 180 mm variant in grey cast iron cataphoresis coated; 110 mm, 130 mm variant in brass
Weight incl. insulation	2.5 kg
EEI	$\leq 0.20$



Characteristic WITA go.future 40 LED



Characteristic WITA go.future 60 LED





High efficiency pumps

WITA go.future 40 | 60 LCD

Product specials

- 5 Years Warranty
- Night mode / min. operation level
- LCD consumption display
- Anti-block function

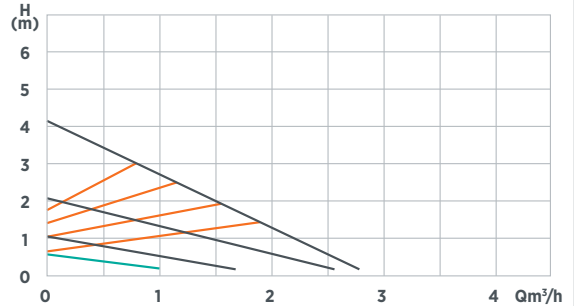


Technical Data

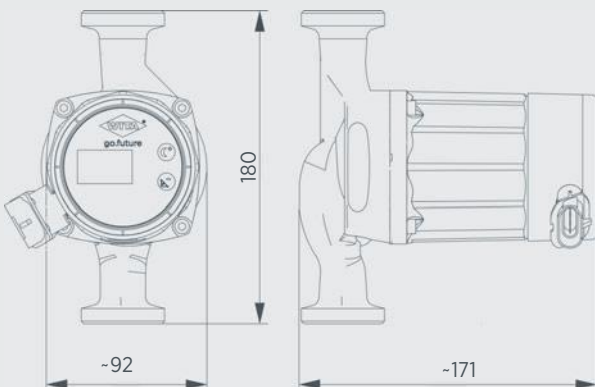
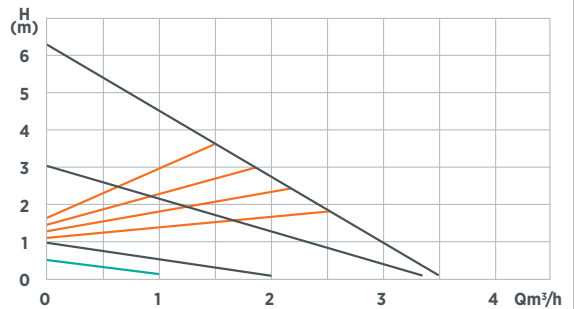
Max. pump lift	4.0 m   6.0 m
Max. flow rate	2.600 l/h   3.200 l/h
Power consumption	3 - 23 W   3 - 38 W
Control	3 constant characteristics, 4 proportional characteristics
Additional function	minimal operation function / manually night mode, automatically night mode, LCD consumption display, anti-block function
Supply voltage	1 x 230V, 50 Hz
Motor protection	No external motor protection required
Ip rating	IP 42
Ambient temperature	0 °C to +40 °C
Media temperature	+5 °C to +110 °C
Temperature class	TF 110 as per EN 60335-2-51
Max. system pressure	10 bar
Connection size	DN 15, DN 20, DN 25, DN 32
Installation lengths	110 mm, 130 mm, 180 mm
Pump housing material	130 mm, 180 mm variant in grey cast iron cataphoresis coated; 110 mm, 130 mm variant in brass
Weight incl. insulation	2.5 kg
EEI	≤ 0.20



Characteristic WITA go.future 40 LCD



Characteristic WITA go.future 60 LCD



## High efficiency pumps

## WITA go.future light 40 | 60

## Product specials

- 5 Years Warranty
- LED characteristics display
- Anti-block function

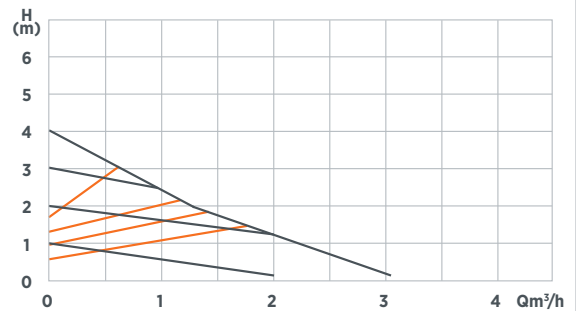


## Technical Data

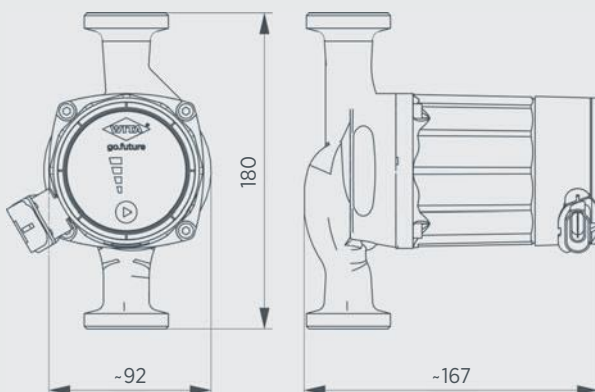
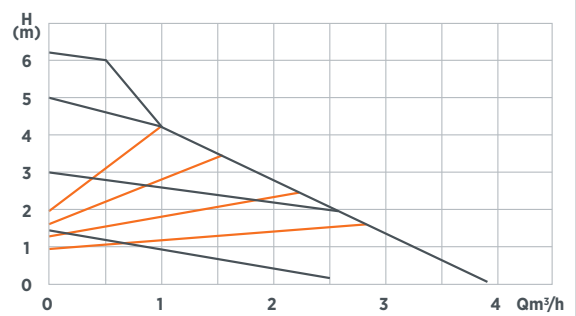
Max. pump lift	4.0 m   6.0 m
Max. flow rate	2.800 l/h   3.600 l/h
Power consumption	3 - 23 W   4 - 42 W
Control	4 constant characteristics, 4 proportional characteristics
Additional function	LED Characteristics display, Anti-block function
Supply voltage	1 x 230V, 50 Hz
Motor protection	No external motor protection required
Ip rating	IP 42
Ambient temperature	0 °C to +40 °C
Media temperature	+5 °C to +110 °C
Temperature class	TF 110 as per EN 60335-2-51
Max. system pressure	10 bar
Connection size	DN 15, DN 20, DN 25, DN 32
Installation lengths	110 mm, 130 mm, 180 mm
Pump housing material	130 mm, 180 mm variant in grey cast iron cataphoresis coated; 110 mm, 130 mm variant in brass
Weight incl. insulation	2.5 kg
EEI	≤ 0.18   ≤ 0.20



Characteristic WITA go.future light 40



Characteristic WITA go.future light 60





High efficiency pumps

WITA Delta HE 35 | 55 LED

Product specials

- 5 Years Warranty
- Night mode / min. operation level
- LED consumption display
- Anti-block function

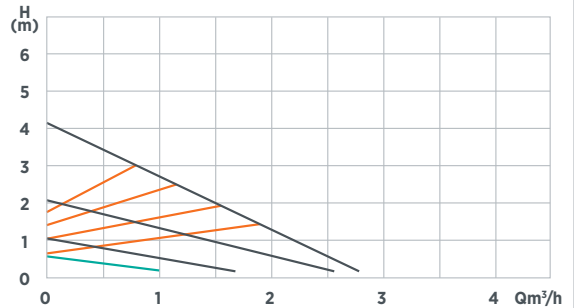


Technical Data

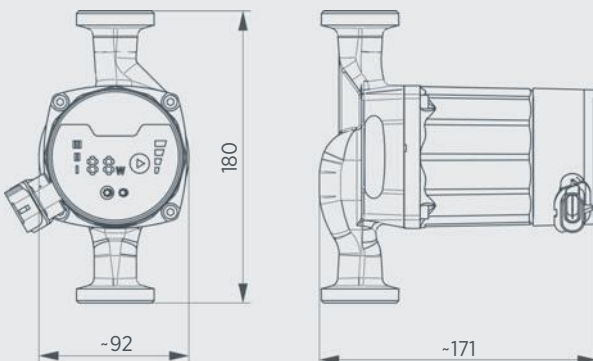
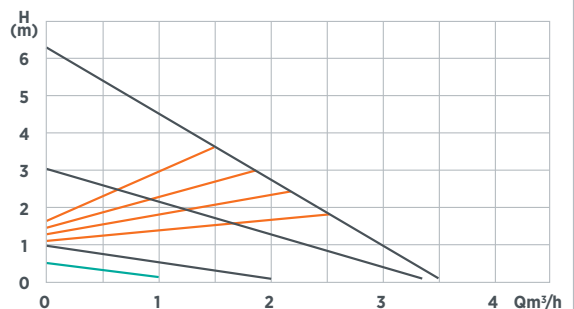
Max. pump lift	4.0 m   6.0 m
Max. flow rate	2.600 l/h   3.200 l/h
Power consumption	3 - 23 W   3 - 38 W
Control	3 constant characteristics, 4 proportional characteristics
Additional function	minimal operation function / manually night mode, automatically night mode, LED consumption display, anti-block function
Supply voltage	1 x 230V, 50 Hz
Motor protection	No external motor protection required
IP rating	IP 42
Ambient temperature	0 °C to +40 °C
Media temperature	+5 °C to +110 °C
Temperature class	TF 110 as per CEN 335-2-51
Max. system pressure	10 bar
Connection size	DN 15, DN 20, DN 25, DN 32
Installation lengths	110 mm, 130 mm, 180 mm
Pump housing material	130 mm, 180 mm variant in grey cast iron cataphoresis coated; 110 mm, 130 mm variant in brass
Weight incl. insulation	2.5 kg
EEI	≤ 0.20



Characteristic WITA Delta HE 35 LED



Characteristic WITA Delta HE 55 LED





### High efficiency pumps

## WITA Delta HE 35 | 55 LCD

### Product specials

- 5 Years Warranty
- Night mode / min. operation level
- LCD consumption level
- Venting function
- Anti-block function

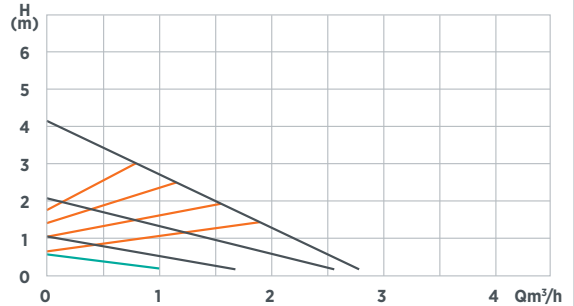


### Technical Data

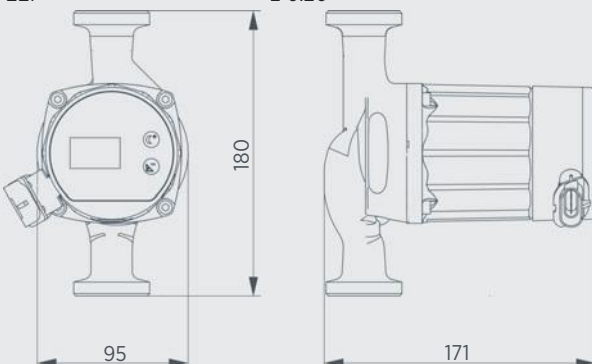
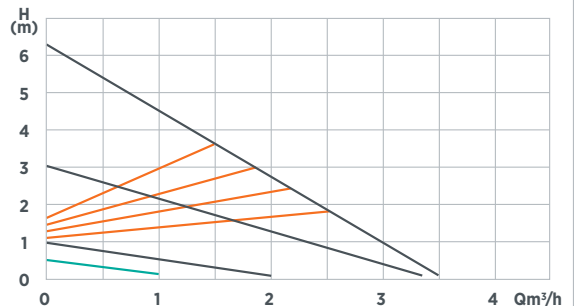
Max. pump lift	4.0 m   6.0 m
Max. flow rate	2.600 l/h   3.200 l/h
Power consumption	3 - 23 W   3 - 38 W
Control	3 constant characteristics, 4 proportional characteristics
Additional function	minimal operation function / manually night mode, automatically night mode, LCD consumption display, venting function, anti-block function
Supply voltage	1 x 230V, 50 Hz
Motor protection	No external motor protection required
IP rating	IP 42
Ambient temperature	0 °C to +40 °C
Media temperature	+5 °C to +110 °C
Temperature class	TF 110 as per CEN 335-2-51
Max. system pressure	10 bar
Connection size	DN 15, DN 20, DN 25, DN 32
Installation lengths	110 mm, 130 mm, 180 mm
Pump housing material	130 mm, 180 mm variant in grey cast iron cataphoresis coated; 110 mm, 130 mm variant in brass
Weight incl. insulation	2.5 kg
EEI	≤ 0.20



Characteristic WITA Delta HE 35 LCD



Characteristic WITA Delta HE 55 LCD





High efficiency pumps

WITA Delta HE *light* 40 | 60

Product specials

- 5 Years Warranty
- LED characteristics display
- Anti-block function

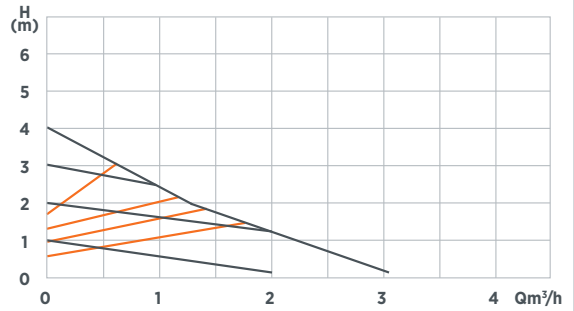


Technical Data

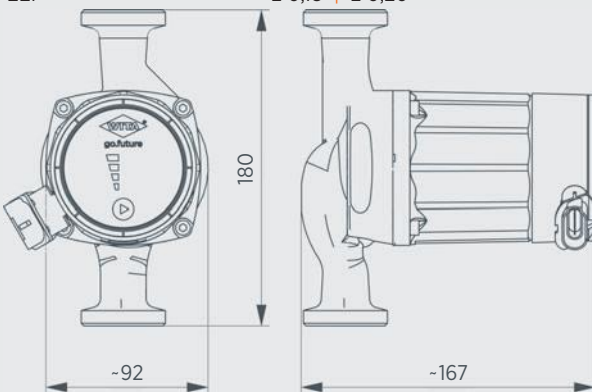
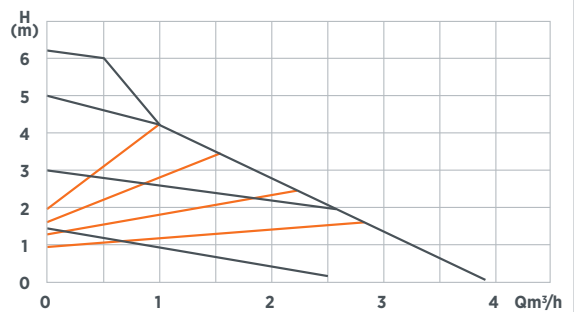
Max. pump lift	4.0 m   6.0 m
Max. flow rate	2.800 l/h   3.600 l/h
Power consumption	3 - 23 W   3 - 42 W
Control	4 constant characteristics, 4 proportional characteristics
Additional function	LED characteristics display, anti-block function
Supply voltage	1 x 230V, 50 Hz
Motor protection	No external motor protection required
Ip rating	IP 42
Ambient temperature	0 °C to +40 °C
Media temperature	+5 °C to +110 °C
Temperature class	TF 110 as per EN 60335-2-51
Max. system pressure	10 bar
Connection size	DN 15, DN 20, DN 25, DN 32
Installation lengths	110 mm, 130 mm, 180 mm
Pump housing material	130 mm, 180 mm variant in grey cast iron cataphoresis coated; 110 mm, 130 mm variant in brass
Weight incl. insulation	2.5 kg
EEI	≤ 0,18   ≤ 0,20



Characteristic WITA Delta HE *light* 40



Characteristic WITA Delta HE *light* 60







### High efficiency pumps

## WITA Delta TOP 40 | TOP 60

### Product specials

- 5 Years Warranty
- Min. operation level
- LED consumption display
- Venting function
- Keylock
- Anti-block function
- also available as PWM version

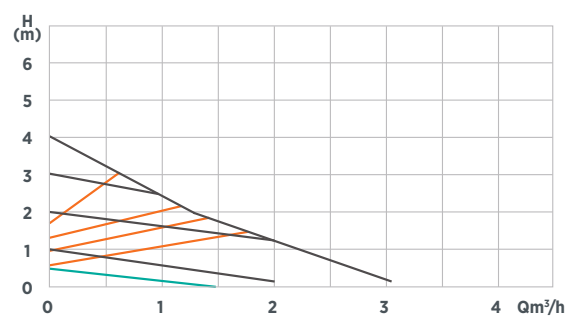


### Technical Data

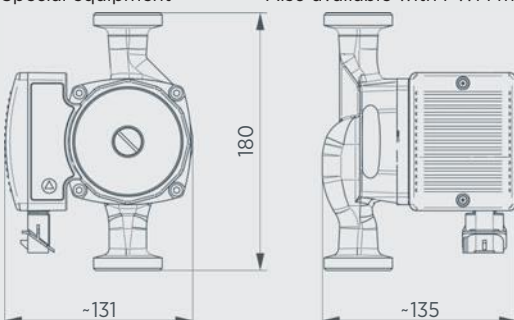
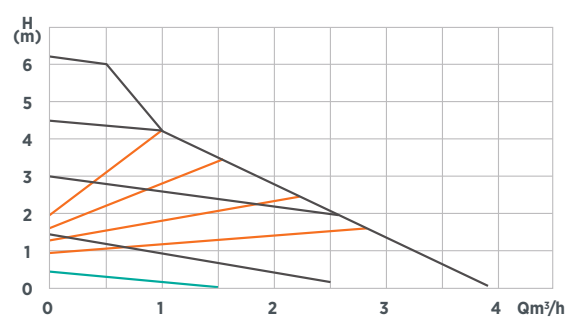
Max. pump lift	4.0 m   6.0 m
Max. flow rate	2.800 l/h   3.600 l/h
Power consumption	3 - 23 W   3 - 42 W
Control	4 constant characteristics, 4 proportional characteristics
Additional function	minimal operation function LED consumption display, venting function, keylock, anti-block function
Supply voltage	1 x 230V, 50 Hz
Motor protection	No external motor protection required
Ip rating	IP 42
Ambient temperature	0 °C to +40 °C
Media temperature	+5 °C to +110 °C
Temperature class	TF 110 as per CEN 335-2-51
Max. system pressure	10 bar
Connection size	DN 15, DN 20, DN 25, DN 32
Installation lengths	110 mm, 130 mm, 180 mm
Pump housing material	130 mm, 180 mm variant in grey cast iron cataphoresis coated; 110 mm, 130 mm variant in brass
Weight incl. insulation	2.5 kg
EEI	≤ 0.18   ≤ 0.20
Special equipment	Also available with PWM module



Characteristic WITA Delta TOP 40



Characteristic WITA Delta TOP 60





High efficiency pumps

WITA Delta MIDI 40 | MIDI 60

Product specials

- 5 Years Warranty
- Min. operation level
- LED characteristics display
- Venting function
- Keylock
- Anti-block function
- also available as PWM version

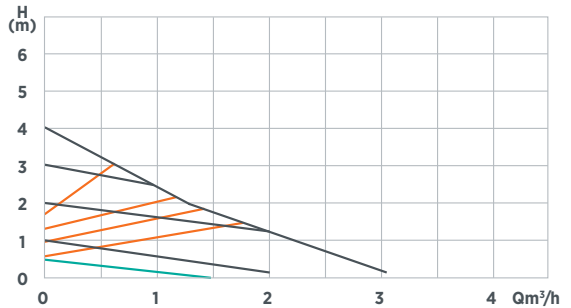


Technical Data

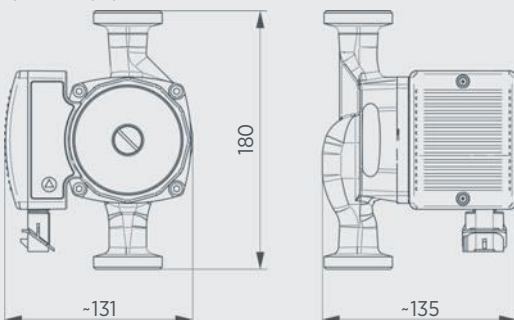
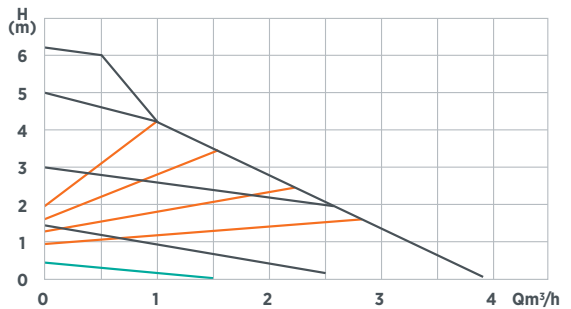
Max. pump lift	4.0 m   6.0 m
Max. flow rate	2.800 l/h   3.600 l/h
Power consumption	3 - 23 W   3 - 42 W
Control	4 constant characteristics, 4 proportional characteristics
Additional function	minimal operation function, LED consumption display, venting function, keylock, anti-block function
Supply voltage	1 x 230V, 50 Hz
Motor protection	No external motor protection required
Ip rating	IP 42
Ambient temperature	0 °C to +40 °C
Media temperature	+5 °C to +110 °C
Temperature class	TF 110 as per CEN 335-2-51
Max. system pressure	10 bar
Connection size	DN 15, DN 20, DN 25, DN 32
Installation lengths	110 mm, 130 mm, 180 mm
Pump housing material	130 mm, 180 mm variant in grey cast iron cataphoresis coated; 110 mm, 130 mm variant in brass
Weight incl. insulation	2.5 kg
EEI	≤ 0.18   ≤ 0.20
Special equipment	Also available with PWM module



Characteristic WITA Delta MIDI 40



Characteristic WITA Delta MIDI 60



## High efficiency pumps

## WITA Delta UP 70

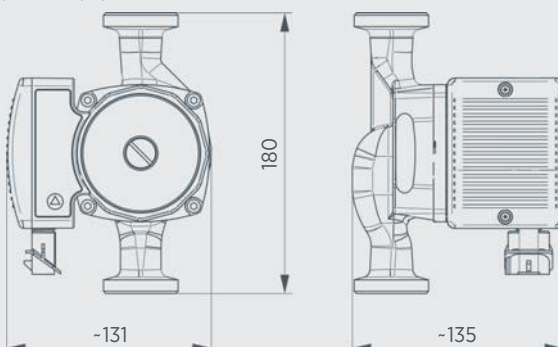
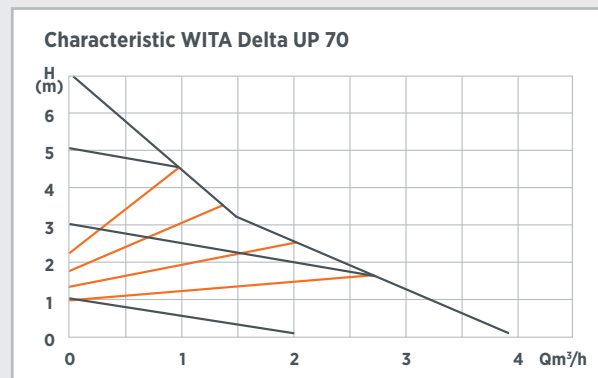
## Product specials

- 5 Years Warranty
- LED characteristics display
- Venting function
- Keylock
- Anti-block function
- also available as PWM version



## Technical Data

Max. pump lift	7.0 m
Max. flow rate	3.900 l/h
Power consumption	4 - 42 W
Control	4 constant characteristics, 4 proportional characteristics
Additional function	LED characteristics display, venting function, keylock, anti-block function
Supply voltage	1 x 230V, 50 Hz
Motor protection	No external motor protection required
Ip rating	IP 42
Ambient temperature	0 °C to +40 °C
Media temperature	+5 °C to +110 °C
Temperature class	TF 110 as per CEN 335-2-51
Max. system pressure	10 bar
Connection size	DN 15, DN 20, DN 25, DN 32
Installation lengths	110 mm, 130 mm, 180 mm
Pump housing material	130 mm, 180 mm variant in grey cast iron cataphoresis coated; 110 mm, 130 mm variant in brass
Weight incl. insulation	2.5 kg
EEI	≤ 0.15
Special equipment	Also available with PWM module





High efficiency pumps

# WITA Delta MAXI 80

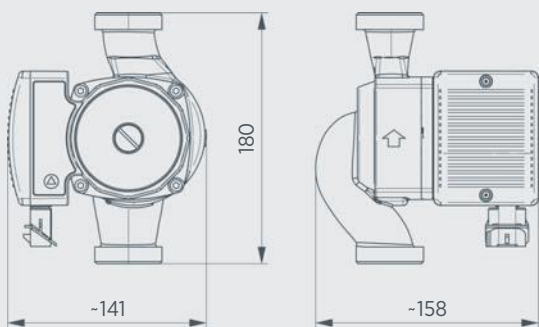
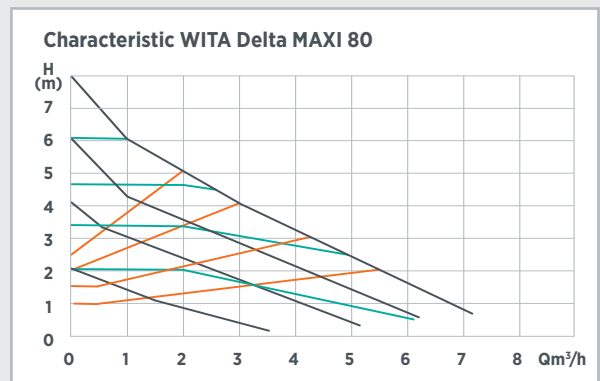
## Product specials

- 5 Years Warranty
- LED characteristics display
- Venting function
- Keylock
- Anti-block function
- also available as PWM version



## Technical Data

Max. pump lift	8.0 m
Max. flow rate	7.200 l/h
Power consumption	9 - 78 W
Control	4 constant characteristics, 4 proportional characteristics, 4 constant pressure characteristics
Additional function	LED characteristics display, venting function, keylock, anti-block function
Supply voltage	1 x 230V, 50 Hz
Motor protection	No external motor protection required
Ip rating	IP 42
Ambient temperature	0 °C to +40 °C
Media temperature	+5 °C to +110 °C
Temperature class	TF 110 as per CEN 335-2-51
Max. system pressure	10 bar
Connection size	DN 25, DN 32
Installation lengths	180 mm
Pump housing material	variant in grey cast iron, cataphoresis coated
Weight incl. insulation	2.9 kg
EEI	≤ 0.23
Special equipment	Also available with PWM module



## High efficiency pumps

## WITA Delta HE 75

## Product specials

- 5 Years Warranty
- Night mode / min. operation level
- LCD consumption display
- Venting function
- Anti-block function
- also available as PWM version

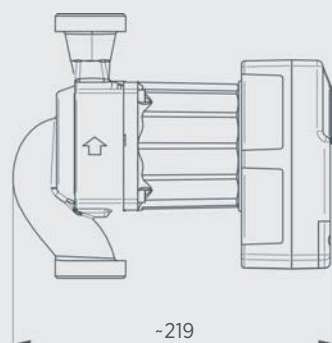
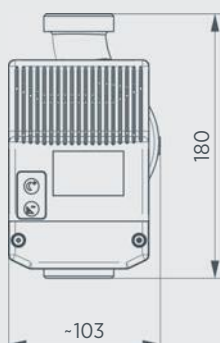
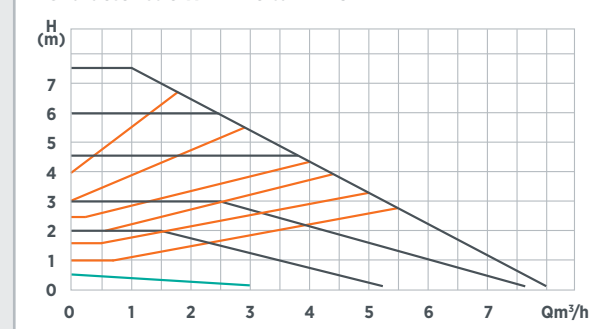


## Technical Data

Max. pump lift	7.5 m
Max. flow rate	7.850 l/h
Power consumption	5 - 98 W
Control	5 constant characteristics, 6 proportional characteristics
Additional function	minimal operation function / manually night mode, automatically night mode, LCD consumption display, venting function, anti-block function
Supply voltage	1 x 230V, 50 Hz
Motor protection	No external motor protection required
Ip rating	IP 42
Ambient temperature	0 °C to +40 °C
Media temperature	+5 °C to +110 °C
Temperature class	TF 110 as per CEN 335-2-51
Max. system pressure	10 bar
Connection size	DN 25, DN 32
Installation lengths	180 mm
Pump housing material	variant in grey cast iron, cataphoresis coated
Weight incl. insulation	3.2 kg
EEI	≤ 0.23
Special equipment	Also available with PWM module



Characteristic WITA Delta HE 75





High efficiency pumps

WITA Delta HE 100 | HE 120

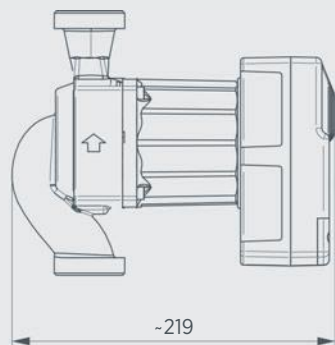
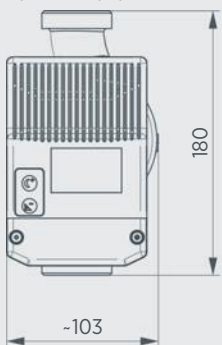
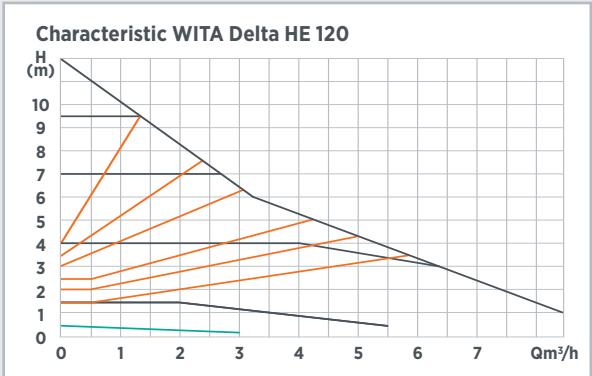
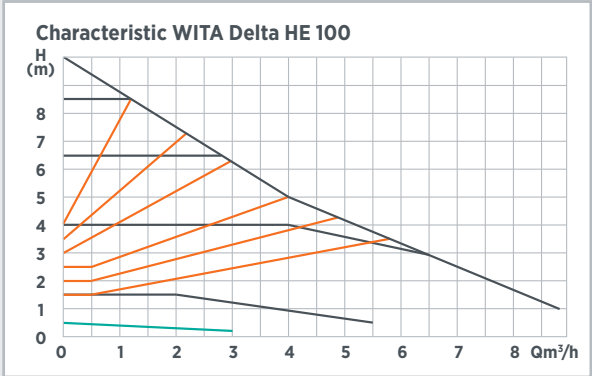
Product specials

- 5 Years Warranty
- Night mode / min. operation level
- LCD consumption display
- Venting function
- Anti-block function
- also available as PWM version



Technical Data

Max. pump lift	10.0 m   12.0 m
Max. flow rate	8.800 l/h   8.800 l/h
Power consumption	5 - 123 W   5 - 127 W
Control	5 constant characteristics, 6 proportional characteristics
Additional function	minimal operation function / manually night mode, automatically night mode, LCD consumption display, venting function, anti-block function
Supply voltage	1 x 230V, 50 Hz
Motor protection	No external motor protection required
Ip rating	IP 42
Ambient temperature	0 °C to +40 °C
Media temperature	+5 °C to +110 °C
Temperature class	TF 110 as per CEN 335-2-51
Max. system pressure	10 bar
Connection size	DN 25, DN 32
Installation lengths	180 mm
Pump housing material	variant in grey cast iron, cataphoresis coated
Weight incl. insulation	3.2 kg
EEI	≤ 0.23
Special equipment	Also available with PWM module



## High efficiency pumps

## WITA Delta HE 75 F

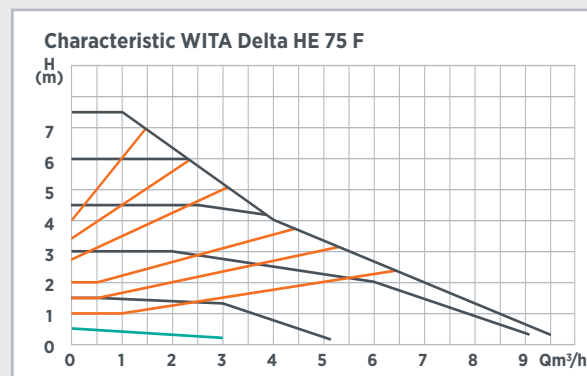
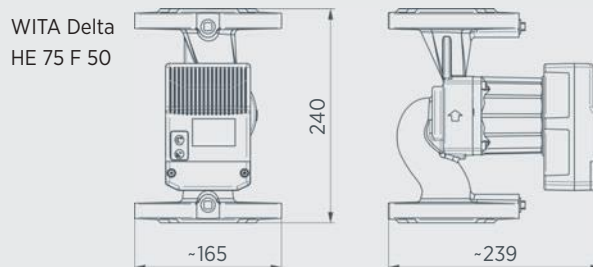
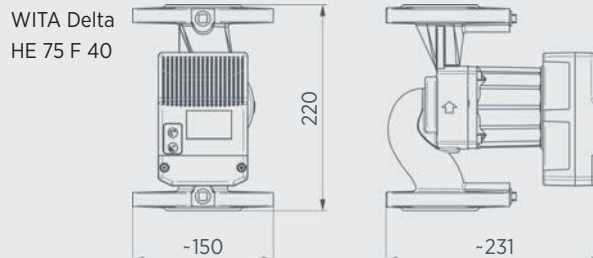
## Product specials

- 5 Years Warranty
- Night mode / min. operation level
- LCD consumption level
- Venting function
- Anti-block function
- also available as PWM version



## Technical Data

Max. pump lift	7.5 m
Max. flow rate	9.450 l/h
Power consumption	5 - 98 W
Control	5 constant characteristics, 6 proportional characteristics
Additional function	minimal operation function / manually night mode, automatically night mode, LCD consumption display, venting function, anti-block function
Supply voltage	1 x 230V, 50 Hz
Motor protection	No external motor protection required
Ip rating	IP 42
Ambient temperature	0 °C to +40 °C
Media temperature	+5 °C to +110 °C
Temperature class	TF 110 as per CEN 335-2-51
Max. system pressure	10 bar
Connection size	DN 40, DN 50
Installation lengths	DN 40 / 220 mm, DN 50 / 240 mm
Pump housing material	variant in grey cast iron, cataphoresis coated
Weight incl. insulation	DN 40 / 7.0 kg, DN 50 / 8.0 kg
EEI	≤ 0.23
Special equipment	Also available with PWM module





High efficiency pumps

WITA Delta HE 100 F | HE 120 F

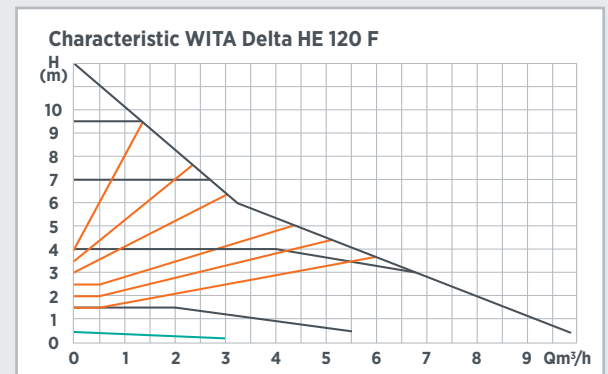
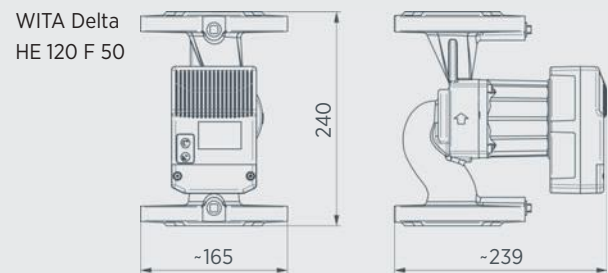
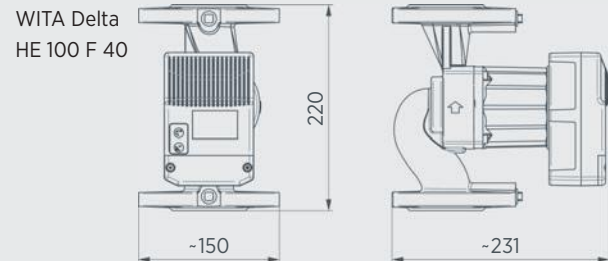
Product specials

- 5 Years Warranty
- Night mode / min. operation level
- LCD consumption level
- Venting function
- Anti-block function
- also available as PWM version



Technical Data

Max. pump lift	10.0 m   12.0 m
Max. flow rate	9.950 l/h   9.950 l/h
Power consumption	5 - 123 W   5 - 127 W
Control	5 constant characteristics, 6 proportional characteristics
Additional function	minimal operation function / manually night mode, automatically night mode, LCD consumption display, venting function, anti-block function
Supply voltage	1 x 230V, 50 Hz
Motor protection	No external motor protection required
Ip rating	IP 42
Ambient temperature	0 °C to +40 °C
Media temperature	+5 °C to +110 °C
Temperature class	TF 110 as per CEN 335-2-51
Max. system pressure	10 bar
Connection size	DN 40, DN 50
Installation lengths	DN 40 / 220 mm, DN 50 / 240 mm
Pump housing material	variant in grey cast iron, cataphoresis coated
Weight incl. insulation	DN 40 / 7.0 kg, DN 50 / 8.0 kg
EEI	≤ 0.23
Special equipment	Also available with PWM module





## High efficiency pumps

# WITA Delta Aqua UE 35A | UE 55A

### Product specials

- 5 years warranty
- Anti-block function

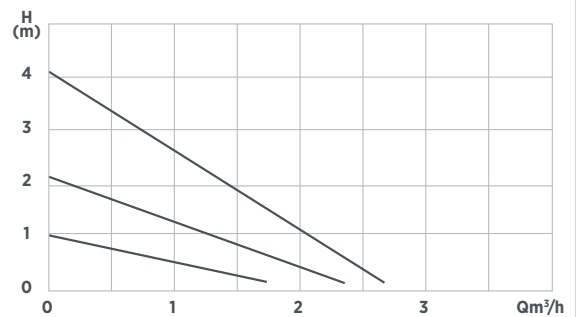


### Technical Data

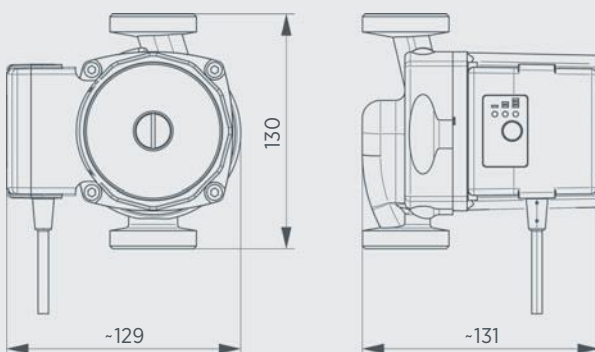
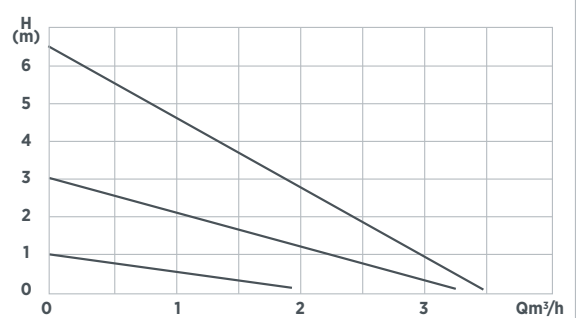
Max. pump lift	4.0 m   6.0 m
Max. flow rate	2.600 l/h   2.850 l/h
Power consumption	4 - 23 W   4 - 38 W
Rotor shaft	ceramics
Control	3 constant characteristics
Additional function	Anti-block function
Supply voltage	1 x 230V, 50 Hz
Motor protection	No external motor protection required
Ip rating	IP 42
Ambient temperature	0 °C to +40 °C
Media temperature	+5 °C to 95 °C
Max. system pressure	10 bar
Connection size	DN 15, DN 20, DN 25
Material motor housing	Aluminium
Pump housing material	Brass
Weight incl. insulation	2.3 kg



Characteristic WITA Delta Aqua UE 35A



Characteristic WITA Delta Aqua UE 55A





## Domestic hot water pumps

# WITA UPH 15<sup>®</sup> | UPH 20-KS

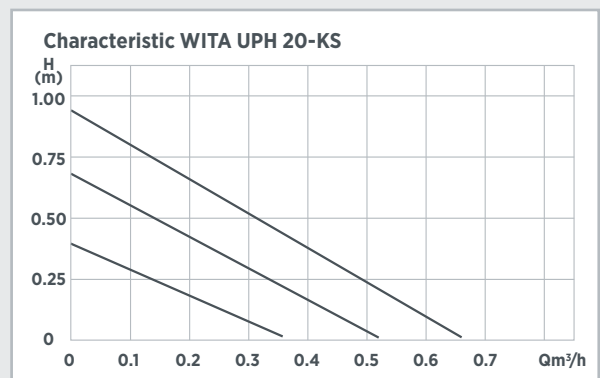
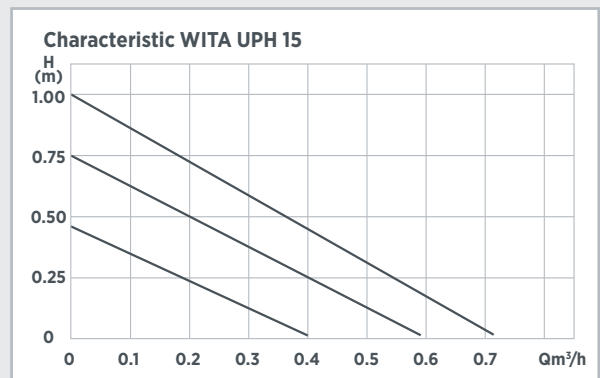
### Product specials

- 5 years warranty
- Anti-block function

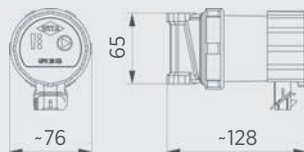


### Technical Data

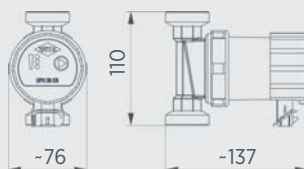
Max. pump lift	1.0 m   0.9 m
Max. flow rate	700 l/h   650 l/h
Power consumption	2,5 - 8,0 W
Control	3 constant characteristics
Additional function	Anti-block function
Supply voltage	1 x 230V, 50 Hz
Motor protection	No external motor protection required
Ip rating	IP 42
Ambient temperature	0 °C to +40 °C
Media temperature	+5 °C to 65 °C
Max. system pressure	10 bar
Connection size	DN 15, DN 20
Pump housing material	Brass
Special equipment	
UPH 20-KS	Ball valve Non return valve



WITA UPH 15



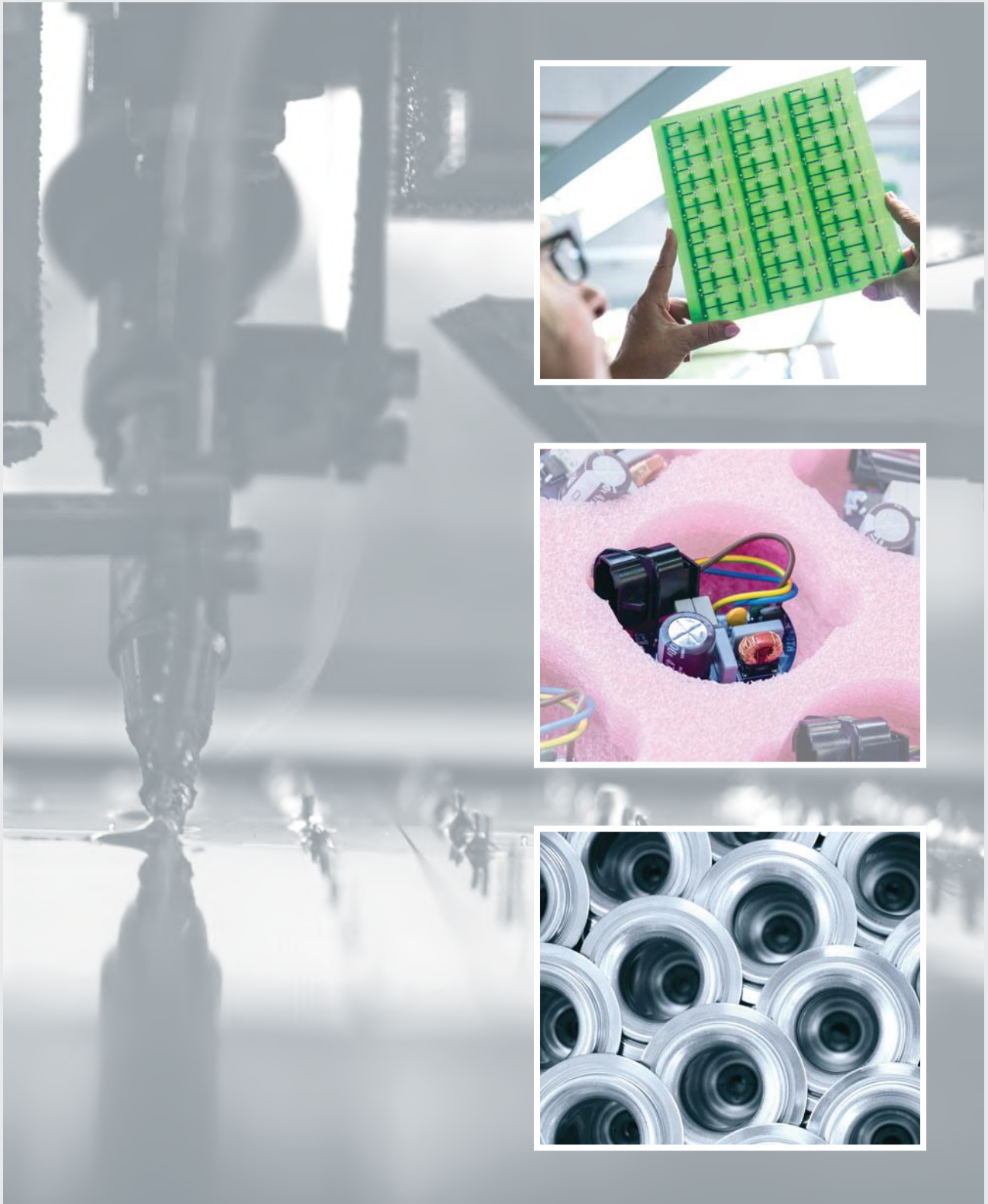
WITA UPH 20-KS





## Domestic hot water pumps

WITA – Quality made in Germany





## High efficiency pumps

### High efficiency pumps

Pumpentyp	go.future 2 LED 40	go.future 2 LED 60	go.future 2 LCD 40	go.future 2 LCD 60	go.future 2 light 40	go.future 2 light 60	go.future LED 40	go.future LED 60	go.future LCD 40	go.future LCD 60	go.future light 40	go.future light 60	HE 35 LED	HE 55 LED
Max. pump lift	4,0 m	6,0 m	4,0 m	6,0 m	4,0 m	6,0 m	4,0 m	6,0 m	4,0 m	6,0 m	4,0 m	6,0 m	4,0 m	6,0 m
Max. flow rate	2.800 l/h	3.600 l/h	2.800 l/h	3.600 l/h	2.800 l/h	3.600 l/h	2.600 l/h	3.200 l/h	2.600 l/h	3.200 l/h	2.800 l/h	3.600 l/h	2.600 l/h	3.200 l/h
Min. power consumption	3 W	3 W	3 W	3 W	4 W	4 W	3 W	3 W	3 W	3 W	3 W	4 W	3 W	3 W
Max. power consumption	23 W	41 W	23 W	41 W	23 W	41 W	23 W	38 W	23 W	38 W	23 W	42 W	23 W	38 W
Number of constant characteristics	4	4	4	4	4	4	3	3	3	3	4	4	3	3
Number of proportional characteristics	4	4	4	4	4	4	4	4	4	4	4	4	4	4
Number of constant pressure characteristics	4	4	4	4	-	-	-	-	-	-	-	-	-	-
Min. operating function / manually night mode	X	X	X	X	-	-	X	X	X	X	-	-	X	X
Automatically night mode	X	X	X	X	-	-	X	X	X	X	-	-	X	X
Venting function	X	X	X	X	-	-	-	-	-	-	-	-	-	-
Keylock	X	X	X	X	-	-	-	-	-	-	-	-	-	-
Venting screw	-	-	-	-	-	-	-	-	-	-	-	-	-	-
Display of electric power	X	X	X	X	-	-	X	X	X	X	-	-	X	X
Aluminium housing cover	-	-	-	-	-	-	-	-	-	-	-	-	-	-
Rotor made of Neodym	-	-	-	-	-	-	-	-	-	-	-	-	-	-
Pump plug	X	X	X	X	X	X	X	X	X	X	X	X	X	X
Mains cable	-	-	-	-	-	-	X	X	X	X	-	-	X	X
Serial PWM function	-	-	-	-	-	-	-	-	-	-	-	-	-	-
Available with PWM module	X	X	X	X	X	X	-	-	-	-	-	-	-	-
Upgrade with PWM module	-	-	-	-	-	-	-	-	-	-	-	-	-	-
0 - 10 V Version	X	X	X	X	X	X	-	-	-	-	-	-	-	-
EEL	≤ 0,20	≤ 0,20	≤ 0,20	≤ 0,20	≤ 0,20	≤ 0,20	≤ 0,20	≤ 0,20	≤ 0,20	≤ 0,20	≤ 0,18	≤ 0,20	≤ 0,20	≤ 0,20
Pump housing 130 mm GG* / CuZn#	X	X	X	X	X	X	X	X	X	X	X	X	X	X
Pump housing 180 mm GG*	X	X	X	X	X	X	X	X	X	X	X	X	X	X
Pump housing 110 mm CuZn#	X	X	X	X	X	X	X	X	X	X	X	X	X	X
Pump housing 220 mm GG*	-	-	-	-	-	-	-	-	-	-	-	-	-	-
Pump housing 240 mm GG*	-	-	-	-	-	-	-	-	-	-	-	-	-	-
Connection size DN 15	X	X	X	X	X	X	X	X	X	X	X	X	X	X
Connection size DN 20	X	X	X	X	X	X	X	X	X	X	X	X	X	X
Connection size DN 25	X	X	X	X	X	X	X	X	X	X	X	X	X	X
Connection size DN 32	X	X	X	X	X	X	X	X	X	X	X	X	X	X
Connection size DN 40	-	-	-	-	-	-	-	-	-	-	-	-	-	-
Connection size DN 50	-	-	-	-	-	-	-	-	-	-	-	-	-	-

### Domestic hot water pump

Pump type	Delta Aqua UE 35A	Delta Aqua UE 55A	UPH 15	UPH 20-KS
Max. pump lift	4,0 m	6 m	1,0 m	0,9 m
Max. flow rate	2.600 l/h	2.850 l/h	700 l/h	650 l/h
Min. power consumption	4 W	4 W	2,5 W	2,5 W
Max. power consumption	23 W	38 W	8 W	8 W
Number of constant characteristics	3	3	3	3
Pump housing 130 mm CuZn#	X	X	-	-
Pump housing 65 mm CuZn#	-	-	X	-
Pump housing 110 mm CuZn#	X	X	-	X
Connection size DN 15	X	X	X	-
Connection size DN 20	X	X	-	X
Connection size DN 25	X	X	-	-
Ball valve and return valve	-	-	-	X

GG\*  
Grey cast iron coated  
by cataphoresis

CuZn#  
Brass



## High efficiency pumps

HE 35 LCD	HE 55 LCD	HE light 40	HE light 60	Top 40	Top 60	MIDI 40	MIDI 60	UP 70	MAXI 80	HE 75	HE 100	HE 120	HE 75 F	HE 100 F	HE 120 F
4,0 m	6,0 m	4,0 m	6,0 m	4,0 m	6,0 m	4,0 m	6,0 m	7,0 m	8,0 m	7,5 m	10,0 m	12,0 m	7,5 m	10,0 m	12,0 m
2.600 l/h	3.200 l/h	2.800 l/h	3.600 l/h	2.800 l/h	3.600 l/h	2.800 l/h	3.600 l/h	3.900 l/h	7.200 l/h	7.850 l/h	8.800 l/h	8.800 l/h	9.450 l/h	9.950 l/h	9.950 l/h
3 W	3 W	3 W	3 W	3 W	3 W	3 W	3 W	4 W	9 W	5 W	5 W	5 W	5 W	5 W	5 W
23 W	38 W	23 W	42 W	23 W	42 W	23 W	42 W	42 W	78 W	98 W	123 W	127 W	98 W	123 W	127 W
3	3	4	4	4	4	4	4	4	4	5	5	5	5	5	5
4	4	4	4	4	4	4	4	4	4	6	6	6	6	6	6
-	-	-	-	-	-	-	-	-	4	-	-	-	-	-	-
X	X	-	-	X	X	X	X	-	-	X	X	X	X	X	X
X	X	-	-	-	-	-	-	-	-	X	X	X	X	X	X
X	X	-	-	X	X	X	X	X	X	X	X	X	X	X	X
-	-	-	-	X	X	X	X	X	X	-	-	-	-	-	-
-	-	-	-	X	X	X	X	X	X	-	-	-	-	-	-
X	X	-	-	X	X	-	-	-	-	X	X	X	X	X	X
-	-	-	-	-	-	-	-	-	X	-	X	X	-	X	X
-	-	-	-	-	-	-	-	-	X	X	X	X	X	X	X
X	X	X	X	X	X	X	X	-	X	X	X	X	X	X	X
X	X	X	X	-	-	-	-	X	-	X	X	X	X	X	X
-	-	-	-	X	X	-	-	-	-	X	X	-	-	-	-
-	-	-	-	X	X	X	X	X	X	X	X	X	X	X	X
-	-	-	-	X	X	X	X	-	X	-	-	-	-	-	-
-	-	-	-	-	-	-	-	-	-	-	-	-	-	-	-
≤ 0,20	≤ 0,20	≤ 0,18	≤ 0,20	≤ 0,18	≤ 0,20	≤ 0,18	≤ 0,20	≤ 0,15	≤ 0,23	≤ 0,23	≤ 0,23	≤ 0,23	≤ 0,23	≤ 0,23	≤ 0,23
X	X	X	X	X	X	X	X	X	-	-	-	-	-	-	-
X	X	X	X	X	X	X	X	X	X	X	X	X	-	-	-
X	X	X	X	X	X	X	X	X	-	-	-	-	-	-	-
-	-	-	-	-	-	-	-	-	-	-	-	-	X	X	X
-	-	-	-	-	-	-	-	-	-	-	-	-	X	X	X
X	X	X	X	X	X	X	X	X	-	-	-	-	-	-	-
X	X	X	X	X	X	X	X	X	-	-	-	-	-	-	-
X	X	X	X	X	X	X	X	X	X	X	X	X	-	-	-
X	X	X	X	X	X	X	X	X	X	X	X	X	-	-	-
-	-	-	-	-	-	-	-	-	-	-	-	-	X	X	X
-	-	-	-	-	-	-	-	-	-	-	-	-	X	X	X



You have not found a suitable high efficiency pump for your special application ?

Please contact us. Together we will find a solution !



High efficiency pumps

# Exchange overview circulating pumps

	WITA DELTA UP 70	WITA DELTA MIDI 40/60	WITA DELTA MAXI 80	WITA DELTA HE light 40/60	WITA DELTA HE 35/55	WITA DELTA HE 35/55 LCD
<b>Grundfos</b>						
Alpha 1 XX-40	WITA DELTA UP 70	WITA DELTA MIDI 40	-	WITA DELTA HE light 40	WITA DELTA HE 35	WITA DELTA HE 35 LCD
Alpha 1 XX-60	WITA DELTA UP 70	WITA DELTA MIDI 60	-	WITA DELTA HE light 60	WITA DELTA HE 55	WITA DELTA HE 55 LCD
Alpha 2 XX-40	WITA DELTA UP 70	WITA DELTA MIDI 40	-	WITA DELTA HE light 40	WITA DELTA HE 35	WITA DELTA HE 35 LCD
Alpha 2 XX-60	WITA DELTA UP 70	WITA DELTA MIDI 60	-	WITA DELTA HE light 60	WITA DELTA HE 55	WITA DELTA HE 55 LCD
Alpha 2 XX-80	-	-	WITA DELTA MAXI 80	-	-	-
Alpha 2 L XX-40	WITA DELTA UP 70	WITA DELTA MIDI 40	-	WITA DELTA HE light 40	WITA DELTA HE 35	WITA DELTA HE 35 LCD
Alpha 2 L XX-60	WITA DELTA UP 70	WITA DELTA MIDI 60	-	WITA DELTA HE light 60	WITA DELTA HE 55	WITA DELTA HE 55 LCD
Alpha 3 XX-40	WITA DELTA UP 70	WITA DELTA MIDI 40	-	WITA DELTA HE light 40	WITA DELTA HE 35	WITA DELTA HE 35 LCD
Alpha 3 XX-60	WITA DELTA UP 70	WITA DELTA MIDI 60	-	WITA DELTA HE light 60	WITA DELTA HE 55	WITA DELTA HE 55 LCD
Alpha 3 XX-80	-	-	WITA DELTA MAXI 80	-	-	-
Magna3 25/32-40	-	-	WITA DELTA MAXI 80	-	-	-
Magna3 25/32-60	-	-	WITA DELTA MAXI 80	-	-	-
Magna3 25/32-80	-	-	-	-	-	-
Magna3 25/32-100	-	-	-	-	-	-
Magna3 40/50-40F	-	-	-	-	-	-
Magna3 40/50-60F	-	-	-	-	-	-
UP 15-14	-	-	-	-	-	-
UP 20-14	-	-	-	-	-	-
<b>Xylem/Lowara</b>						
Basic/Premium XX-4	WITA DELTA UP 70	WITA DELTA MIDI 40	-	WITA DELTA HE light 40	WITA DELTA HE 35	WITA DELTA HE 35 LCD
Basic/Premium XX-6	WITA DELTA UP 70	WITA DELTA MIDI 60	-	WITA DELTA HE light 60	WITA DELTA HE 55	WITA DELTA HE 55 LCD
ecocirc Pro 15-1/65	-	-	-	-	-	-
ecocirc Pro 15-1/110	-	-	-	-	-	-
<b>Wilo</b>						
Stratos Pico XX/1-4	WITA DELTA UP 70	WITA DELTA MIDI 40	-	WITA DELTA HE light 40	WITA DELTA HE 35	WITA DELTA HE 35 LCD
Stratos Pico XX/1-6	WITA DELTA UP 70	WITA DELTA MIDI 60	-	WITA DELTA HE light 60	WITA DELTA HE 55	WITA DELTA HE 55 LCD
Yonos Pico XX/1-4	WITA DELTA UP 70	WITA DELTA MIDI 40	-	WITA DELTA HE light 40	WITA DELTA HE 35	WITA DELTA HE 35 LCD
Yonos Pico XX/1-6	WITA DELTA UP 70	WITA DELTA MIDI 60	-	WITA DELTA HE light 60	WITA DELTA HE 55	WITA DELTA HE 55 LCD
Stratos XX/1-4	-	-	WITA DELTA MAXI 80	-	-	-
Stratos XX/1-6	-	-	WITA DELTA MAXI 80	-	-	-
Stratos XX/1-8	-	-	-	-	-	-
Stratos XX/1-8	-	-	-	-	-	-
Stratos40/1-10	-	-	-	-	-	-
Stratos50/1-10	-	-	-	-	-	-
Star-Z Nova 84 mm / 1/2" IG	-	-	-	-	-	-
Star-Z Nova A 138 mm / 1" AG	-	-	-	-	-	-
Stratos ECO-Z 25/1-5	-	-	-	-	-	-
<b>Halm</b>						
HEP Optimo XX-4.0 G	WITA DELTA UP 70	WITA DELTA MIDI 40	-	WITA DELTA HE light 40	WITA DELTA HE 35	WITA DELTA HE 35 LCD
HEP Optimo Basic XX-4.0 G	WITA DELTA UP 70	WITA DELTA MIDI 40	-	WITA DELTA HE light 40	WITA DELTA HE 35	WITA DELTA HE 35 LCD
HEP Optimo XX-6.0 G	WITA DELTA UP 70	WITA DELTA MIDI 60	-	WITA DELTA HE light 60	WITA DELTA HE 55	WITA DELTA HE 55 LCD
HEP Optimo Basic XX-6.0 G	WITA DELTA UP 70	WITA DELTA MIDI 60	-	WITA DELTA HE light 60	WITA DELTA HE 55	WITA DELTA HE 55 LCD
HEP Optimo L+ XX-4.0 G	-	-	WITA DELTA MAXI 80	-	-	-
HEP Optimo L+ XX-6.0 G	-	-	-	-	-	-



## High efficiency pumps

## Domestic hot water circulating pumps

WITA go.future (2) 40/60 LED	WITA go.future (2) 40/60 LCD	WITA go.future (2) light 40/60	WITA DELTA HE 75/100/120
WITA go.future (2) 40 LED	WITA go.future (2) 40 LCD	WITA go.future (2) light 40	-
WITA go.future (2) 60 LED	WITA go.future (2) 60 LCD	WITA go.future (2) light 60	-
WITA go.future (2) 40 LED	WITA go.future (2) 40 LCD	WITA go.future (2) light 40	-
WITA go.future (2) 60 LED	WITA go.future (2) 60 LCD	WITA go.future (2) light 60	-
-	-	-	-
WITA go.future (2) 40 LED	WITA go.future (2) 40 LCD	WITA go.future (2) light 40	-
WITA go.future (2) 60 LED	WITA go.future (2) 60 LCD	WITA go.future (2) light 60	-
WITA go.future (2) 40 LED	WITA go.future (2) 40 LCD	WITA go.future (2) light 40	-
WITA go.future (2) 60 LED	WITA go.future (2) 60 LCD	WITA go.future (2) light 60	-
-	-	-	-
-	-	-	WITA DELTA HE 75
-	-	-	WITA DELTA HE 75
-	-	-	WITA DELTA HE 100
-	-	-	WITA DELTA HE 120
-	-	-	WITA DELTA HE 75-xx F
-	-	-	WITA DELTA HE 120-xx F
-	-	-	-
-	-	-	-
WITA go.future (2) 40 LED	WITA go.future (2) 40 LCD	WITA go.future (2) light 40	-
WITA go.future (2) 60 LED	WITA go.future (2) 60 LCD	WITA go.future (2) light 60	-
-	-	-	-
-	-	-	-
WITA go.future (2) 40 LED	WITA go.future (2) 40 LCD	WITA go.future (2) light 40	-
WITA go.future (2) 60 LED	WITA go.future (2) 60 LCD	WITA go.future (2) light 60	-
WITA go.future (2) 40 LED	WITA go.future (2) 40 LCD	WITA go.future (2) light 40	-
WITA go.future (2) 60 LED	WITA go.future (2) 60 LCD	WITA go.future (2) light 60	-
-	-	-	WITA DELTA HE 75
-	-	-	WITA DELTA HE 75
-	-	-	WITA DELTA HE 100
-	-	-	WITA DELTA HE 120
-	-	-	WITA DELTA HE 120-F
-	-	-	WITA DELTA HE 120-F
-	-	-	-
-	-	-	-
-	-	-	-
-	-	-	-
WITA go.future (2) 40 LED	WITA go.future (2) 40 LCD	WITA go.future (2) light 40	-
WITA go.future (2) 40 LED	WITA go.future (2) 40 LCD	WITA go.future (2) light 40	-
WITA go.future (2) 60 LED	WITA go.future (2) 60 LCD	WITA go.future (2) light 60	-
WITA go.future (2) 60 LED	WITA go.future (2) 60 LCD	WITA go.future (2) light 60	-
-	-	-	WITA DELTA HE 75
-	-	-	WITA DELTA HE 100

WITA DELTA Aqua UE 35A	WITA UPH 15 / UPH 20-KS
-	-
-	-
-	-
-	-
-	-
-	-
-	-
-	-
-	-
-	-
-	-
-	-
-	-
-	-
-	-
-	-
WITA DELTA Aqua UE35A	WITA UPH 15
WITA DELTA Aqua UE35A	WITA UPH 20-KS
-	-
-	-
WITA DELTA Aqua UE35A	WITA UPH 15
WITA DELTA Aqua UE35A	WITA UPH 20-KS
-	-
-	-
-	-
-	-
-	-
-	-
-	-
-	-
-	-
-	WITA UPH 15
-	WITA UPH 20-KS
WITA DELTA Aqua UE35A	-
-	-
-	-
-	-
-	-
-	-
-	-
-	-

ONLY ORIGINAL WITH THE DIAMOND®



## WITA® - Wilhelm Taake GmbH

Böllingshöfen 85 | D-32549 Bad Oeynhausen  
phone: +49 5734 512380 | fax: +49 5734 1752  
[www.wita.de](http://www.wita.de) | [info@wita.de](mailto:info@wita.de)